



IMPORTANT

1. Always include complete heater model and serial number so that any specification change can be considered for parts shipment. It can save time and expense.
2. Specifications are subject to change without notice.
3. We reserve the right to substitute functional replacements.
4. Order either by Kit or Component Part No.



Replacement Parts

Form RZ-NA-P-X/XE/RX/RPV

Obsoletes Form RGM 705 (Version A)

APPLIES TO: Replacement Parts for Models listed in the Index including Models with prefix "C", "H", and "HC"

Index Reference by Page No.	Indoor		Outdoor				Indoor	Outdoor
	Duct Furnace	Packaged Systems	Duct Furnaces		Packaged Systems (Models discontinued as of 1990)		Unit Heaters (Obsolete)	Evaporative Cooler (Obsolete)
	X	XE/XJ	RX	RPV	RXE/RXJ	RPBE/RPVE/RPVJ/REB/REBJ	UA/XA/ XB*	RAM
Model Series Designations (including Models with prefix "C", "H", or "HC")								
Baffles (Heat Exchanger)	10	10	10	10	10	10	--	--
Blower	--	11	--	--	11	11	--	--
Burner Rack and Carryovers	8	8	8	8	8	8	8**	--
Cabinet Parts (Blower)	--	12	--	--	13	13	--	--
Cabinet Parts (Heater)	4	4	4	6	4	4, 6	--	28
Carryover Regulator	8	8	8	8	8	8	--	--
Condensate Drain Kit	27	27	27	27	--	--	--	--
Contactors	--	14	--	--	14	14	--	--
Damper and Damper Controls	--	20-21	--	--	20-21	20-21	--	--
Door Latch Kit	--	13	--	--	13	13	--	--
Downturn Plenum Cabinet	--	--	--	--	20	20	--	--
Drives	--	19	--	--	19	19	--	--
Electrical Components	22-25	22-25	22-25	22-25	22-25	22-25	--	28
Fan Blades	--	--	--	--	--	--	18	--
Fill & Drain Kits (Option CT)	--	--	--	--	--	--	--	28
Filters and Filter Racks	--	12	--	--	13	13	--	28
Firestat	--	23	--	--	23	23	--	--
Flue Restrictors	--	--	6	--	6	6	--	--
Freezestat	--	24	--	--	24	24	--	--
Heat Exchanger	10	10	10	10	10	10	--	--
Limit Controls & Shields	22	22	22	22	22	22	--	--
Manifolds	8	8	8	8	8	8	--	--
Motors (Blower or Fan)	--	14-16	--	--	16-18	16-18	18	--
Pilots	26	26	26	27	26	26-27	26	--
Pressure Switch (air proving)	--	--	24	24	24	24	--	--
Pressure Switch (combustion air)	--	--	--	7, 22	--	7, 22	--	--
Pressure Switch (dirty filter)	--	24	--	--	24	24	--	--
Pressure Switch (gas)	23	23	23	23	23	23	--	--
Relays	23-24	23-24	23-24	23-24	23-24	23-24	23-24	--
Remote Console (Option RC)	25	25	25	25	25	25	--	--
Serial Number Designation	2	2	2	2	2	2	2	--
Starters & Starter Heaters	--	14-16	--	--	16-18	16-18	--	--
Switch, Blocked Vent	22	22	--	--	--	--	--	--
Switches, Disconnect & Toggle	25	25	25	25	25	25	25	--
Tape for Curbs	--	--	27	27	27	27	--	--
Transformer	24	24	24	24	24	24	--	--
***Valves (Shutoff)	8	8	8	8	8	8	8	--
Venters	--	--	--	6	--	6	--	--
Vertical Vent Kit (Option CC3)	--	--	--	6	--	6	--	--
Weatherhood (Outside air hood)	--	--	--	--	20	20	--	--
Z-Baffles (Option ZZ)	--	--	4-5	--	4-5	--	--	--

* Replacement parts for obsolete unit heaters are limited. Cabinet parts are not available. ** Not available for Model UA.

REFERENCES:

Replacement Parts and Service Forms, Form RZ-NA

P-PILOTS, Pilots

P-STATS, Thermostats and Accessories

P-GC, Gas Conversion

P-LTR-TUBES, Burner Rack Carryover and Lighter Tubes

P-RG/RP/RBL, Parts for Model Series RG and RP

P-FAN-LIMIT, Fan and Limit Controls

***P-VALVES, Serial Nos., Gas Valves, Ignition Controllers, and Maxitrol Gas Controls

P-VENTER, Power Venter for Model Series X and XE

737, Parts for Model PAK

CP-X-CONV, Convert Model Series X and RX with G19 or T32 to G770

CP-RPV-CONV, Convert Model Series RPV with G29 to G770

CP-RPV-PS, Pressure Switch Kit for Model Series RPV

CP-X/SC-IGN, Convert Model Series X and RX with G60 to G770

CP-EEDU/RPV/XLB-IGN, Convert Model Series RPV with G60 to G770

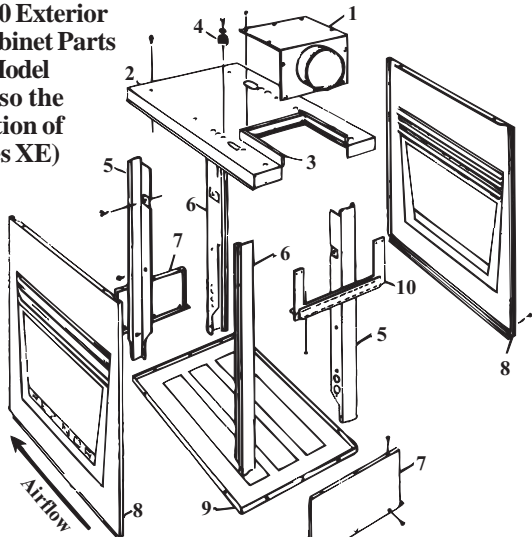
Installation/Operation Forms for currently manufactured Models, Form RZ-NA

I-OUTDOOR-DUCT, Models RX and RPV

I-XE/RGB/RPB, Model XE

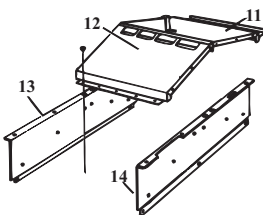
I-X, Model X

CODES 1-10 Exterior Furnace Cabinet Parts for Indoor Model Series X (also the furnace section of Model Series XE)

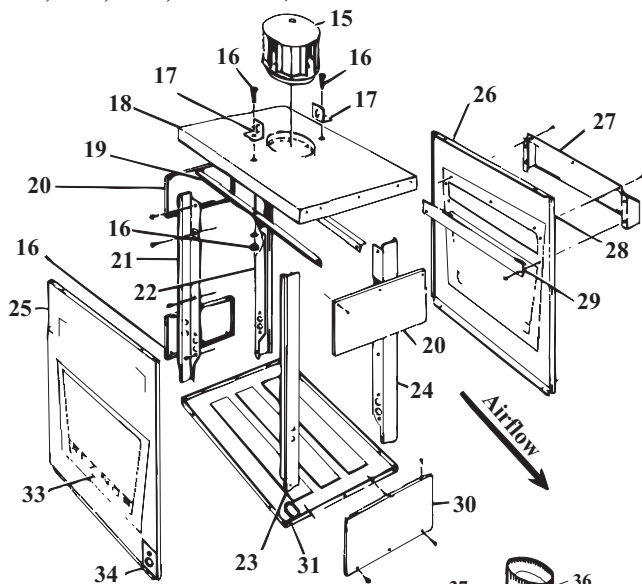


CODES 11-14 Drafthood Parts for Indoor Model Series X (also the furnace section of Model Series XE)

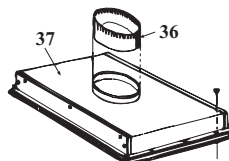
NOTE: Effective 4/91, all Model X and XE units include a blocked vent switch requiring mounting holes in the drafthood side (Code 14B). If the drafthood side is being replaced in a unit not equipped with the blocked vent switch, a patch plate with gasket must cover the blocked vent switch mounting holes.



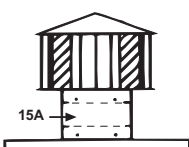
CODES 15-33 Exterior Furnace Cabinet Parts for Outdoor Model Series RX (also the furnace section of Model Series RXE, RXJ, REB, and REBJ)



CODES 34-37 Flue Collection Parts for Outdoor Model Series RX (also the furnace section of Model Series RXE, RXJ, REB, and REBJ)



CODE 15A - Vent Cap Extension for Model Series RX



Model	Furnace		Extension	
	Sizes	Series	Height	P/N
RX, HRX	300,	Prior to Series 8 & Series 8	12"	20524
	350,			
	400			
CRX, HCRX	350	Prior to Series 8 & Series 8	12"	20524
	400			
	400			
	400	Series 8	12"	20524

Code	Description	
1	Flue Collar Assembly	X Series
		CX Series 6
2	Draft Hood & Top Assy w/ Flue Collar	X Series
		CX Series 6
3	Flue Collar Support	
4	Hanger connector	
5	Right Front & Left Rear Corner Legs	Prior to Series 6
5A	Left Rear Corner leg	Series 6 & 8
5B	Right Rear Corner Leg	Series 6 & 8
6	Left Front & Right Rear Corner Legs	
7	Bottom Front & Rear Panel	
8	Casing Side Panel Doors	
9	Heater Bottom Pan	Aluminized
		409 Stainless
10	Top Back	
11	Draft Hood Rear Baffle	Prior to Series 6
		Series 6 & 8
12	Draft Hood Front Baffle	Prior to Series 6
		Series 6 & 8
13	Draft Hood Right Side	Prior to Series 6
		Series 6 & 8
14	Draft Hood Left Side	Prior to Series 6
		Series 6 & 8
15	Vent Cap	
15A	Vent Cap Extension - See Table below	
16	Hex Head Bolt 7/16 x 1	
17	Lift Eye	
18	Casing Top Assembly (includes insulation)	
		Casing Top Assembly - Series 5W & 6W (wide cabinet)
19	Hanger Angle	
20	Top Front & Back	
21	Left Rear Corner Leg	
		Left Rear Corner Leg - Series 5W & 6W (wide cabinet)
22	Right Rear Corner Leg	
		Right Rear Corner Leg - Series 5W & 6W (wide cabinet)
23	Left Front Corner Leg	
		Left Front Corner Leg - Series 5W & 6W (wide cabinet)
24	Right Front Corner Leg	
		Right Front Corner Leg - Series 5W & 6W (wide cabinet)
25	Left Casing Assembly with Combustion Air Screen Assembly	
26	Right Casing Assembly with Combustion Air Screen Assembly	
27	Combustion Air Inlet Shield	
28	Combustion Air Inlet Screen	
29	Combustion Air Inlet Angle	
30	Bottom Front & Rear Panel	
31	Heater Bottom Pan	Aluminized
		409 Stainless
		Heater Bottom Pan - Series 5W & 6W (wide cabinet)
		Aluminized
		409 Stainless
32	Corner Panel	
33	Reznor Name Plate	
34	Flue Restrictor - See Type & Size on page 6.	RX, HRX prior to Series 6
		RX, HRX Series 6
		RX, HRX Series 8
		CRX, HCRX - All
35	"Z" Baffle used w/ optional extended stack (Option ZZ) - See Type & Size on page 6.	RX, HRX prior to Series 6
		RX, HRX Series 6
		RX, HRX Series 8
		CRX, HCRX - All
36	Flue Collar	Prior to Series 6
		Series 6 & 8
37	Flue Collection Box w/ Flue Collar	Prior to Series 6
		RX Series 6 & 8
		CRX Series 6 & 8
38	Louver Frame w/ Horizontal Louvers	Apply to Model XE
39	Horizontal Louver Only	See the illustration
40	Vertical Louver Only	on page 6.
41	Support Feet (not illustrated)	Apply to Model X